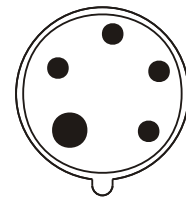
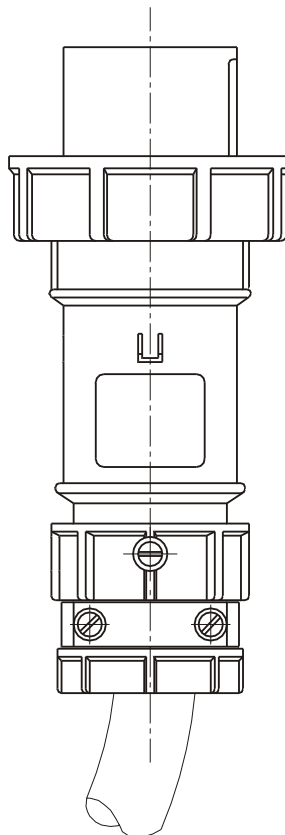
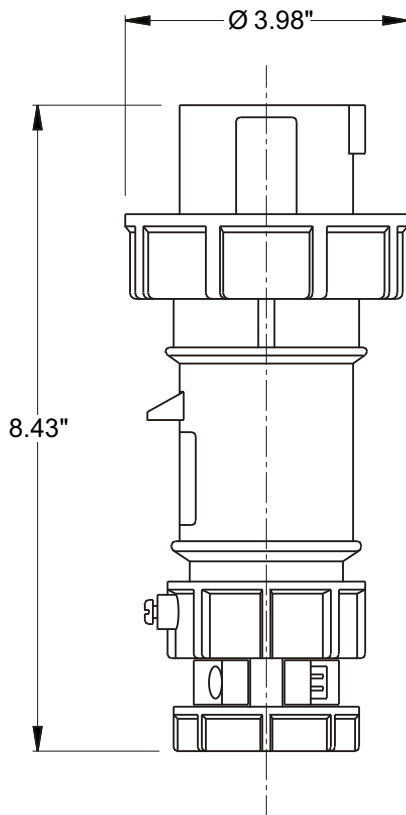

PLUG, IN-LINE

Part No. ME 530P5W
Description: 30 Amp 3 Y 347/600Vac 4 Pole, 5 Wire Plug
Construction: Watertight IEC IP 67
Approvals: UL Listed Standards 1682; 1686
CSA Certification to Spec. C22.2 No. 182.1
IEC 60309-1; IEC 60309-2

IEC COLOR CODE: Black

GROUND SOCKET: 7 Hour Position Mates with Female in 5 Hour Position.



Front View of Plug

Wire Range: #8 - #12 AWG
Cord Range: .43" - 1.12"
Threaded Cable Entry: 1 1/4" NPT

Drawing Not to Scale